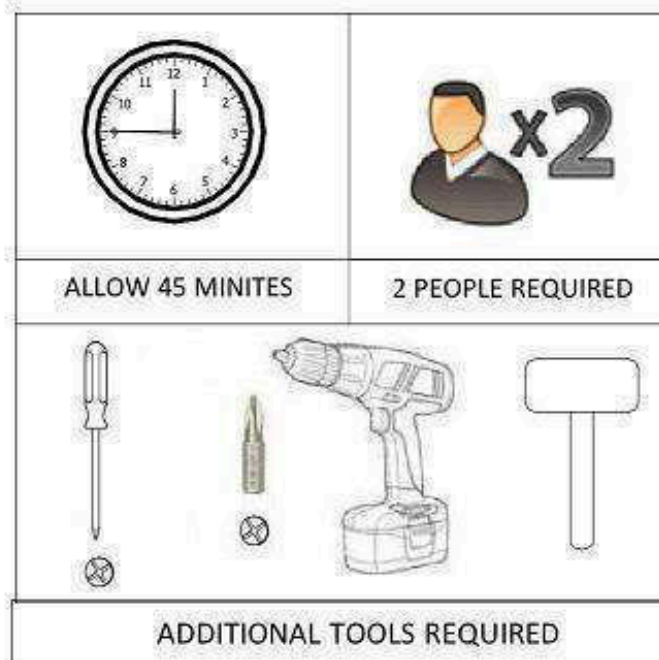


Imported by Amart Furniture Pty Ltd, Qld, Brisbane Australia.
For any assistance with assembly or for missing parts, please phone
Amart Furniture Ewing Road, Customer Service Free call 1800 351 084

PRE-ASSEMBLY PREPARATION

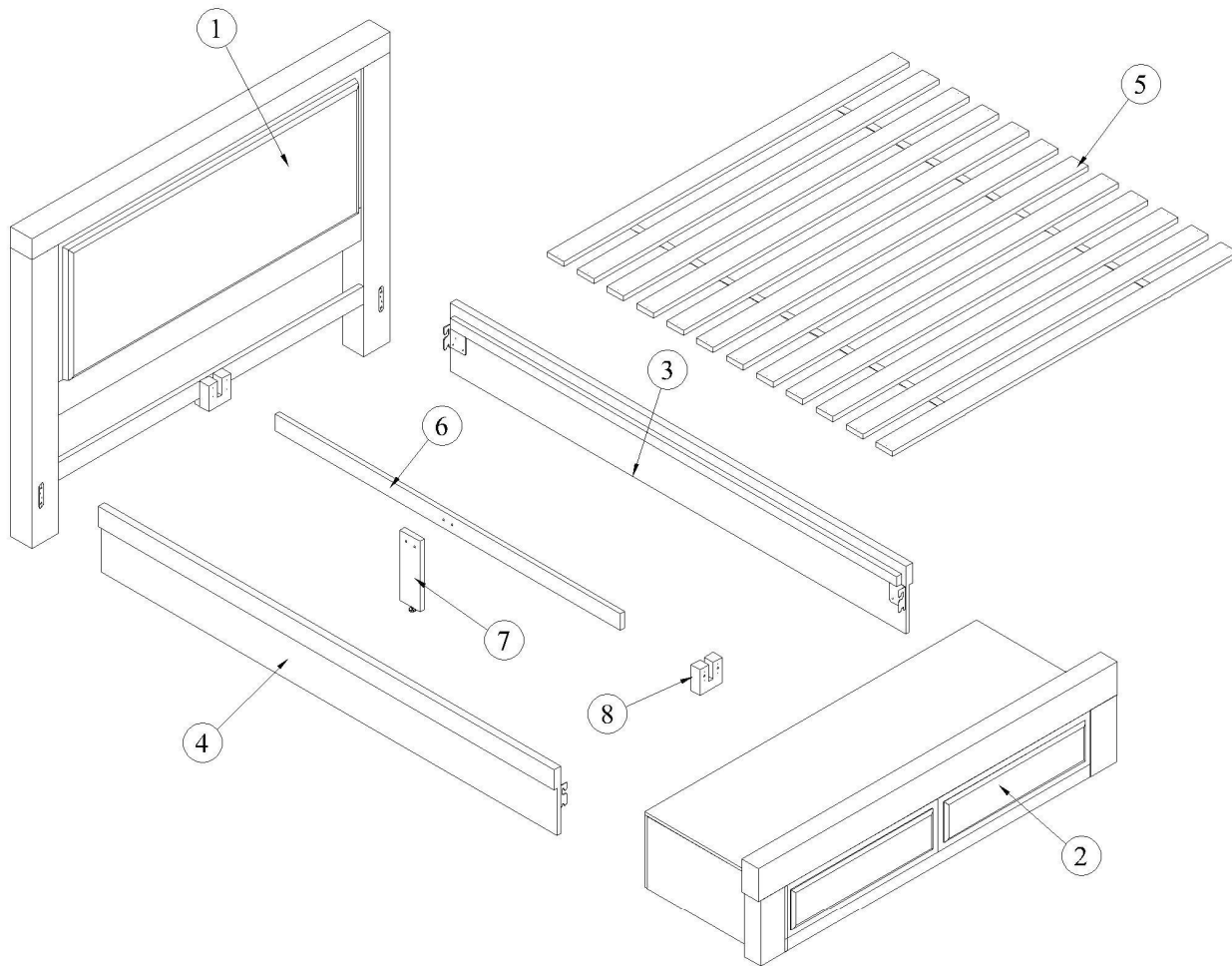
Before you start:

1. Choose a clean, level, spacious assembly area. Avoid hard surfaces that may damage the product
2. Take care when lifting. Product should be assembled as near as possible to the point of use
3. Ensure that you have all required contents for complete assembly
4. Always read the assembly instructions carefully before beginning assembly.
5. Keep all hardware parts and packaging out of reach of small children.
6. Do not over tighten the screws and bolts as this may damage the threads



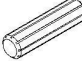
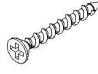




Power drill set on low speed setting before use.

PARTS LIST



Note: Hardware are located inside siderail boxes.

NO.	DESCRIPTION	QTY.
1	HEADBOARD	1pc
2	FOOTBOARD WITH DRAWER	1pc
3	SIDERAIL (LEFT)	1pc
4	SIDERAIL (RIGHT)	1pc
5	SLATS (1850MM X 65MM)	12 pcs
6	SLAT SUPPORT	1pc
7	SLAT SUPPORT STAND	1pc
8	U BLOCK	1pc

<p>A. Dowel</p>  <p>M8 x 40mm 2pcs</p>	<p>B. Screw</p>  <p>CSK M4 x 32mm 28pcs</p>
<p>C. Bolt</p>  <p>JCBC M8 x 16mm 8pcs</p>	<p>D. Bolt</p>  <p>JCBC M6 x 40mm 2pcs</p>
<p>E. Allen Key</p>  <p>M5 1pc</p>	<p>F. Allen Key</p>  <p>M4 1pc</p>

ITEMS REQUIRED

1

A. Dowel



M8 x 40mm 2pcs

B. Screw



CSK M4 x 32mm 28pcs

C. Bolt



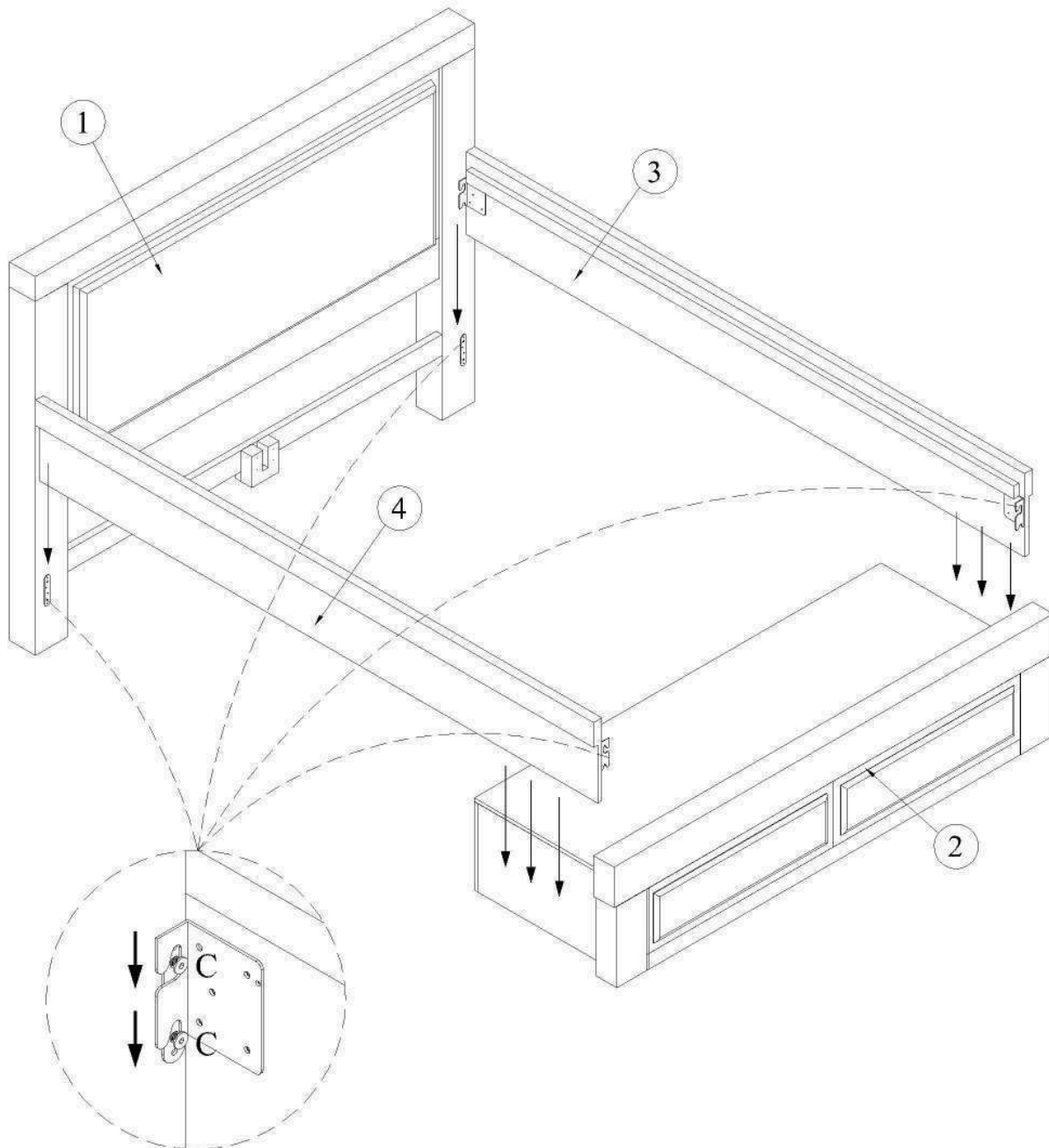
JCBC M8 x 16mm 8pcs

E. Allen Key



M5 1pc

- Attach Siderail (3 & 4) to Headboard (1) and Footboard (2) by pushing the bracket down.



ITEMS REQUIRED

2

A. Dowel



M8 x 40mm 2pcs

B. Screw



CSK M4 x 32mm 28pcs

C. Bolt



JCBC M8 x 16mm 8pcs

E. Allen Key

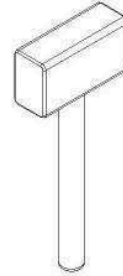


M5

1pc

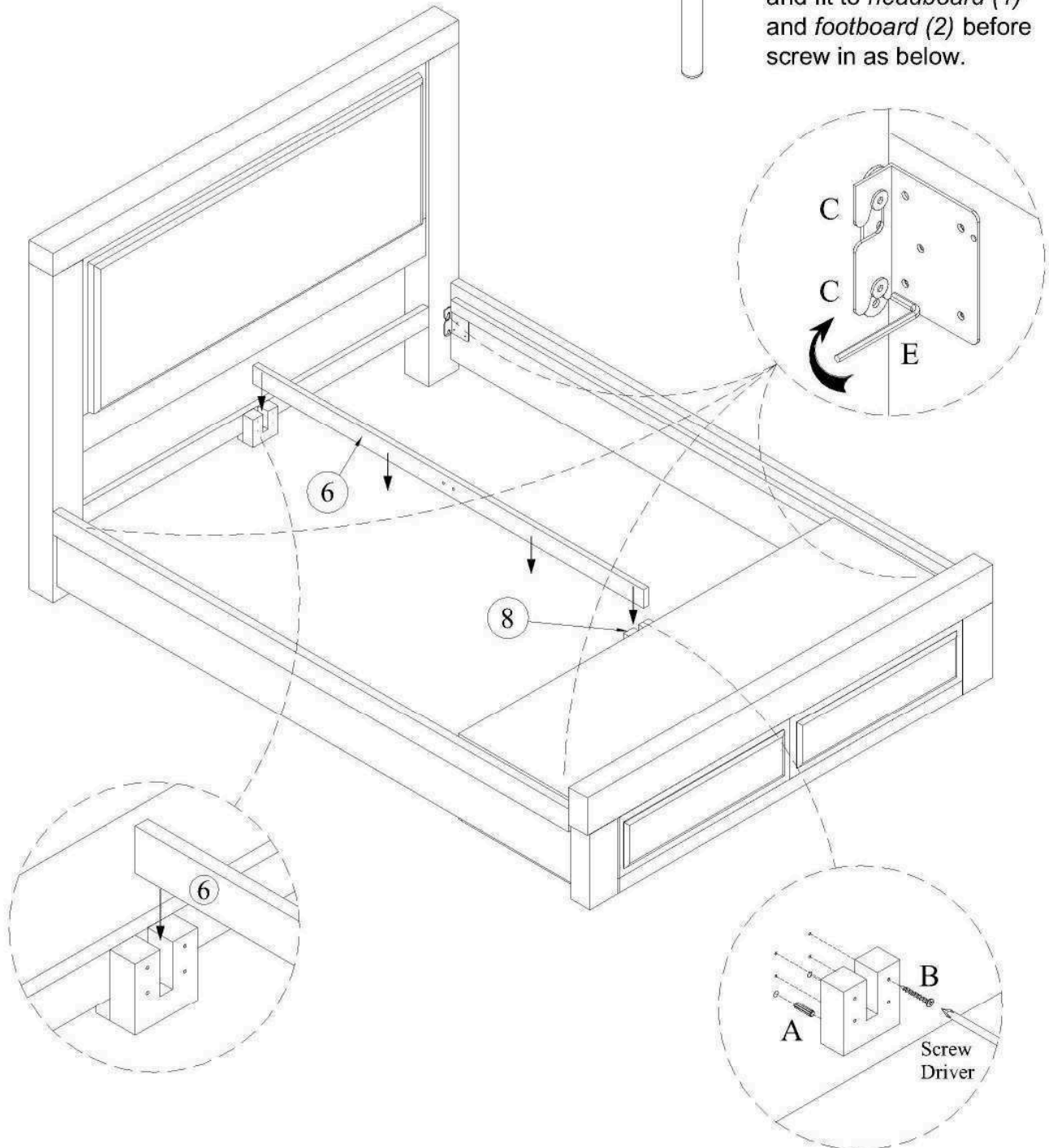


- Attach **U BLOCK (8)** to Footboard (2) using Dowel (A) & Screws (B).
- Slot in **Slat Support (6)** to **U Block (8)**.
- Tighten all 4 corners screws (C) of Headboard (1) and Footboard (2) using Allen Key (E).



Note:

Use plastic hammer driving wood dowel (E) to U-block (8) and fit to headboard (1) and footboard (2) before screw in as below.



ITEMS REQUIRED

3

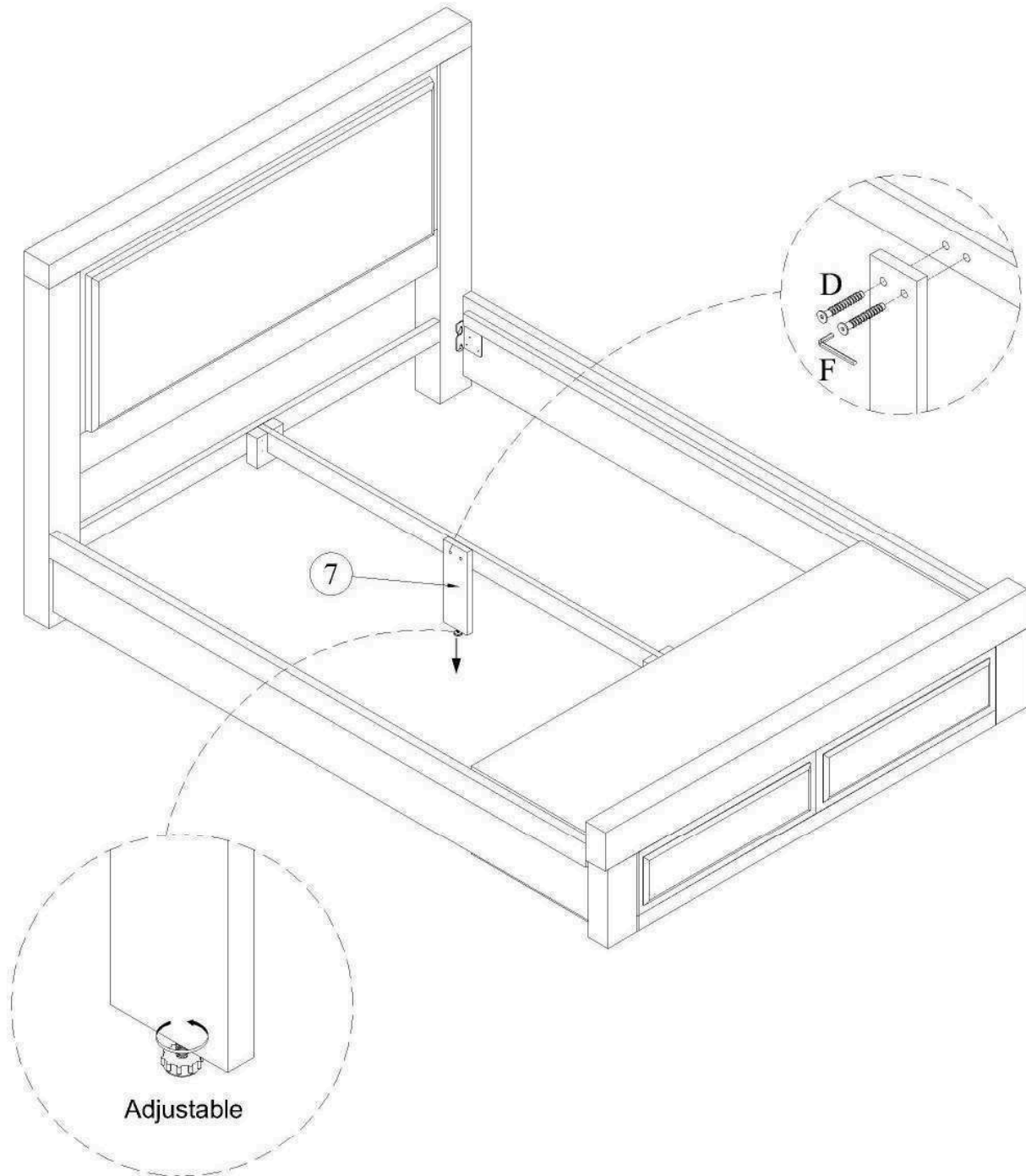
D. Bolt



F. Allen Key



- Attach *Slat Support Stand (7)* to *Slat Support (6)* using *Bolts (D)*.



Important Notes:

- Once the bed is positioned and the supportleg adjustable is adjusted to touch the floor, the slat may then be laid down and secured before putting on the mattress.

ITEMS REQUIRED

4

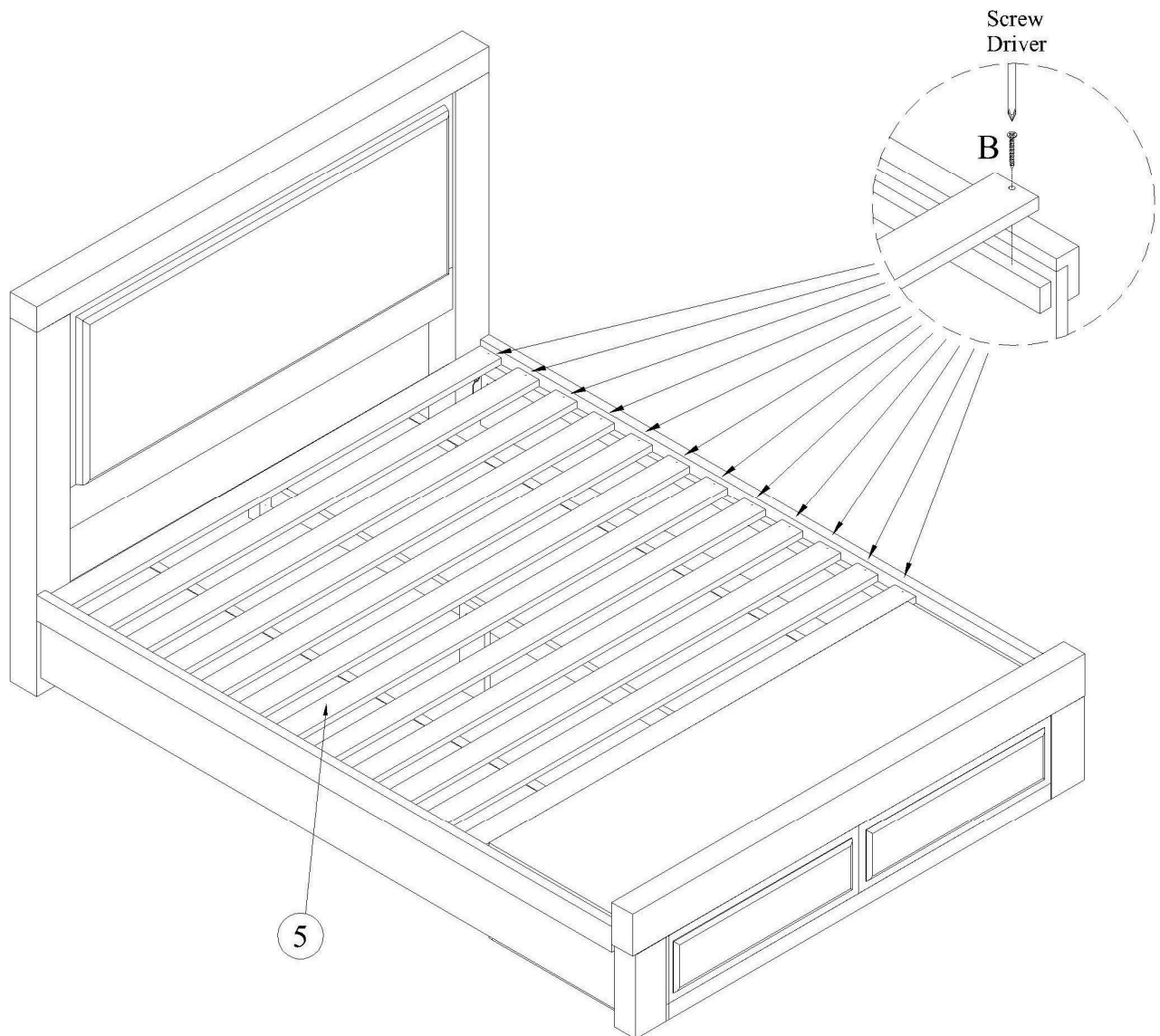
B. Screw



CSK M4 x 32mm 28pcs



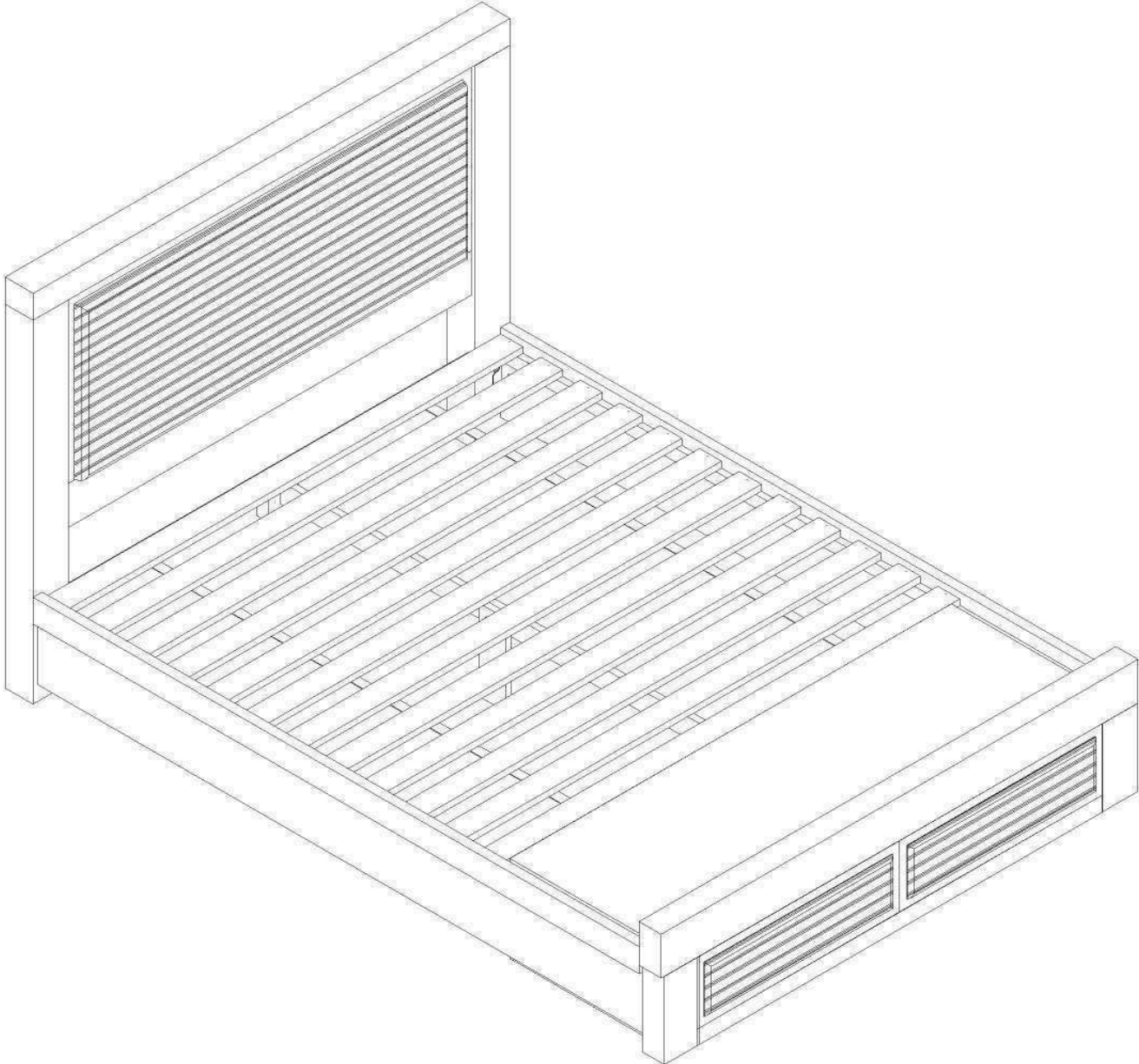
- Place Slats (5) to ledge of Side Rails (3 &4).
- Attach together using Screws (B).



Important Notes:

- DO NOT push or pull the bed for repositioning as this may result in broken Support Leg for the Centre Rail.

ASSEMBLY IS COMPLETE



Care and maintenance



- A multi-step finish is applied to all our furniture, but all wood comes from nature. Because of this, there will be natural variations in surface texture and grain like knots, mineral streaks and sap runs that may affect the finish. These differences in character are not defects, but distinctions that make each piece of furniture unique.
- Our furniture is built to last. Following these steps for basic care should protect your investment for years to come.
- Dust frequently with a clean damp lint-free cloth. This will help remove abrasive build up which can damage a finish over time.
- Do not place hot objects on any furniture surface. Always use a hot plate or placemat. Laminate and lacquer finishes on table tops provide added scratch and heat resistance to our furniture, but they can still be damaged without proper care.
- Avoid exposing your furniture to strong sunlight, heat outlet, open windows and dampness. Prolonged exposure to direct sunlight can fade the finish of your furniture, while extreme temperature and humidity changes can cause cracking or splitting.
- Do not expose your furniture to any liquids. Never allow water to sit on your furniture. Alcohol, nail polish and perfume are also dangerous as they will dissolve the lacquer finish in contact and may require professional repairs.
- Do not allow plastic to come in direct contact with your furniture. Chemicals in the plastic of placemats etc may soften and mark the finish if left in contact with the furniture for a period of time.